



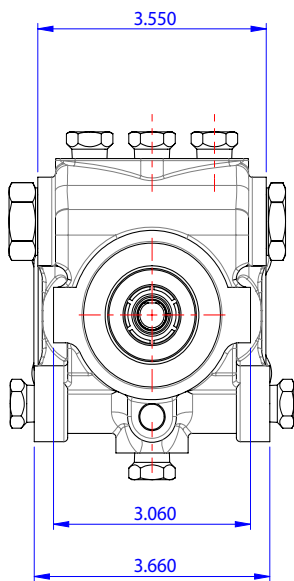
## R PUMP WITH ONLY HUB MOUNTING DISCONTINUATION

Starting in July 2026, Suntec will discontinue all R pump models equipped with hub mounting only. As a result, all R pumps will be supplied with flange mounting as standard.

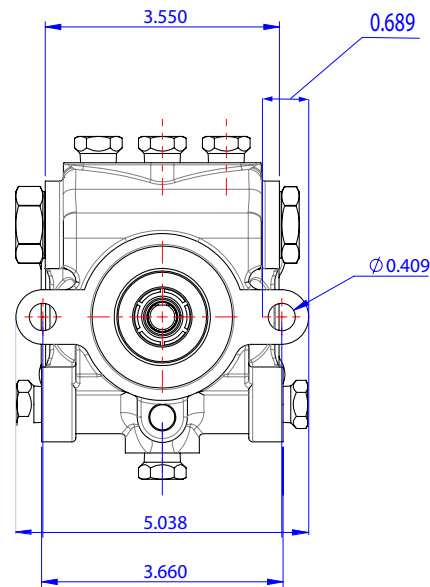
Both mounting options will remain possible, as the mounting holes will still be present on the hub of each R and V pump.

This change is implemented by adding an extension on both sides of the pump body, measuring 0.689" and featuring a  $\varnothing 0.409$ " hole. This extension is commonly referred to as the flange ear.

Unit : inch



Discontinued design : hub mounting only



New standard design : with flange ears

Below models will keep same reference and starting July 2026, will be delivered with flange :

- 2R223D-5BE13
- 22R623A-5BE14
- 2R223A-5BE14
- 2R223A-5BZ14
- 2R626C-5BZ14
- 21R220B-4BZ3
- 21R220B-4BZ4



# SALES INFORMATION N°120

Below BX customer variation are replaced by AA customer variation models :

	Old reference	New reference
BX customer variation	22R220D-5BX14	22R220D-5AA14
	22R221B-5BX14	22R221B-5AA14
	22R221D-5BX14	22R221D-5AA14
	22R322D-5BX14	22R322D-5AA14
	22R623D-5BX14	22R623D-5AA14
	2R233D-5BX4	2R233D-5AA4
	2R626D-5BX14	2R626D-5AA14