



INTERCHANGEABILITY LIST

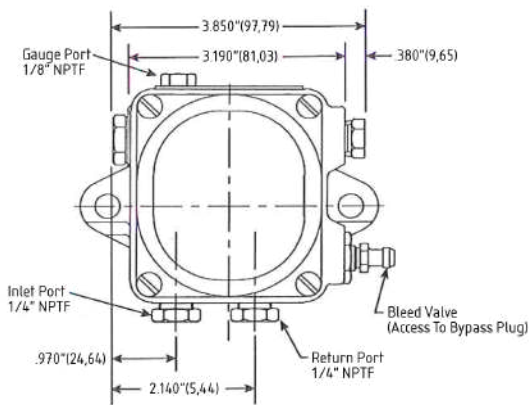
WEBSTER / SUNTEC

HYDRAULIC

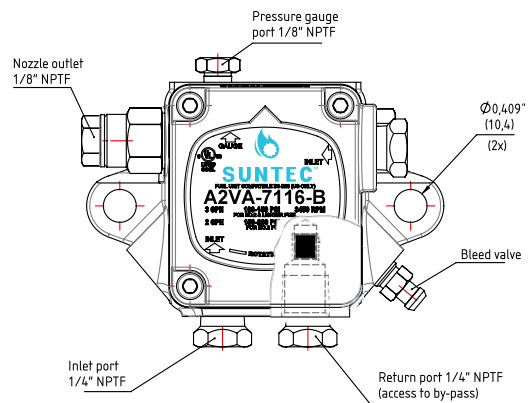
- Same fittings
- Smaller footprint on Suntec pump¹
- Identical inlet/return orientation
- All Suntec pumps are UL B6-B20

¹In case of rigid connection, adaptations may be necessary

Webster M pumps



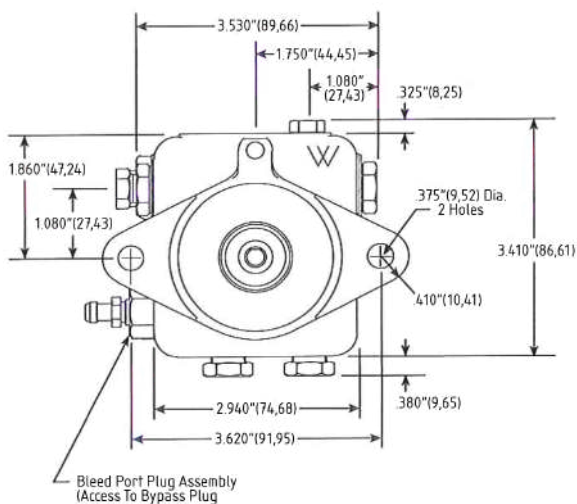
Suntec pumps



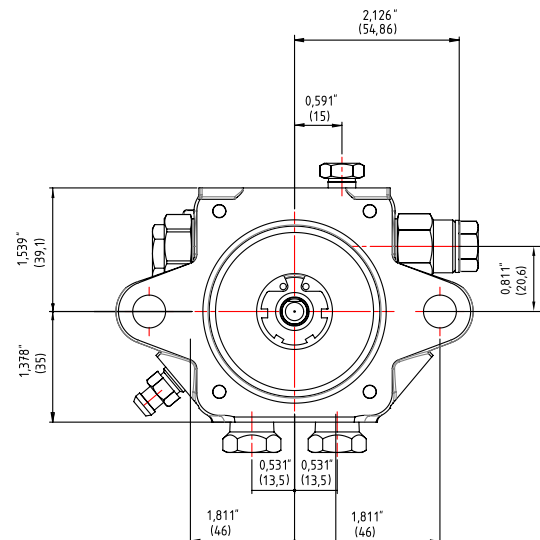
FIXATION

- Same flange

Webster M pumps



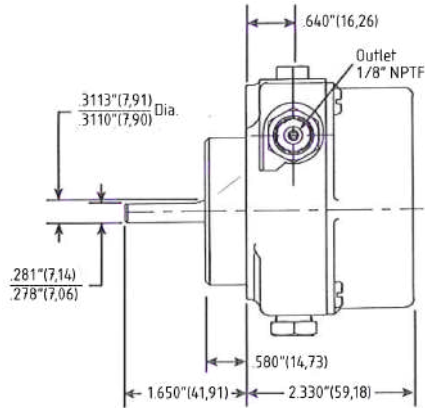
Suntec pumps



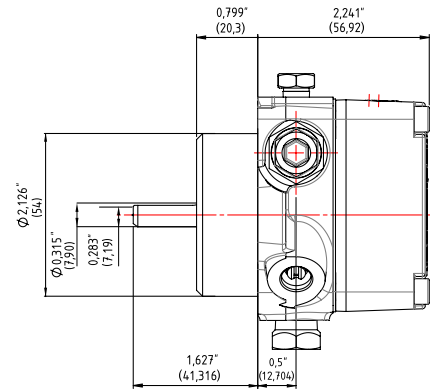


MOTOR INTERFACE

Webster M pumps



Suntec pumps



Shaft and hub diameters are compatible. Shaft length to be checked.

PERFORMANCE

Webster pump	Suntec pump	REMARKS
M17DL-6	A1YA-7912B	
M17DM-6	A1YA-7912B	
M17CL-6	A1YC-7914B	
M34DK-3	A2VA-7116B	
M34DL-3	A2VA-7116B	
M34DM-3	A2VA-7116B	
M34DL-6	A2VA-7116B	
M34DM-6	A2VA-7116B	
M34DL-15	B2TA-8260B	
2M17DL-6	A1YA-7912B	
2M17DM-6	A1YA-7912B	
2M34DL-3	B2YA-8916B	
2M34DM-3	B2YA-8916B	
2M34DL-6	B2YA-8916B	
2M34CL-6	B2TC-8262B	
2M34DL-15	B2TA-8260B	
2M34DM-15	B2TA-8260B	
2M34CL-15	B2TC-8262B	
M17DN-M	A2RA-7710	No B6-B20 compatible