

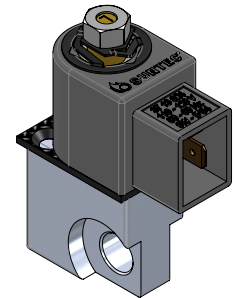
Shut-off valve

SUNTEC drew on all of its know-how on pumps with integrated solenoid valves to develop and market a range of independent in-line solenoid valves. The R&C valves are automatic solenoid valve with direct cut-off that meets the requirements of UL certification. They are specially designed to fit burners and installations up to 3,4 MBTU.

- ▶ **Designed to perform reliably** over an extended cycle life.
- ▶ **Field proven concept**, with years of domestic and European acceptance.
- ▶ **Available in a choice** of pump mount (Model R) or burner mount (Model C). Both models use the same actuating components including the coil.
- ▶ **Economical.** A two-piece detachable coil and cordset allows greater flexibility and increased savings to customers when retro-fitting.

MODEL R - Pump mount

Easy to install : model R valve is added into the circuit with simple tools and without additional tubing. The coaxial bolt assembles the valve directly to the pump outlet.

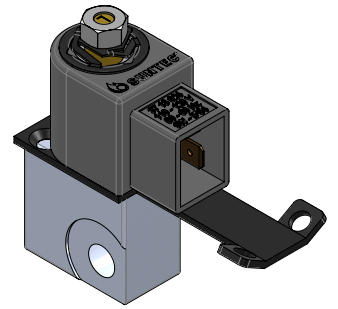


TECHNICAL CHARACTERISTICS

	R261NLB	R291NLB	R442NLB	R642NLB	R753NLB
Solenoid type	NC	NC	NC	NC	NC
Voltage	12V DC / 24V AC	12V DC / 24V AC	24V DC	110 - 120V AC	220 - 240V AC
Lead length	22,5 inch (no jacket)	39 inch (full jacket)	22,5 inch (no jacket)	22,5 inch (no jacket)	22,5 inch (no jacket)
Fluid connection	1/8 NPTF	1/8 NPTF	1/8 NPTF	1/8 NPTF	1/8 NPTF
Pressure range	0 - 300 psi				
Loss of load	< 14,5 psi for a flow rate of 16 GPH at 68°F / 5 cSt				
Nozzle line flow	16 GPH				
Oil type	Fuel oil #2 and lighter, B6-B20 (blends from 6% up to 20% biodiesel, per ASTM D396)				
Fluid temperature	75° F				
Ambiant temperature	50 - 115°F				
Body material	Aluminium				
Coil color	Green	Green	Orange	Grey	Black
Consumption	10W	10W	9W	9W	9W
Certification					

MODEL C - Burner mount

Easy to install : Model C valve mounts onto the burner housing with convenient 90° porting. This permits a very concise tubing arrangement.



TECHNICAL CHARACTERISTICS

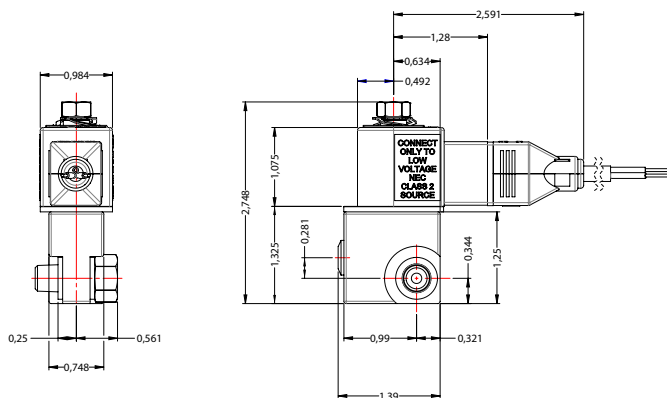
	C291NRB	C642NRB	C692NRB	C753NRB	C793NRB
Solenoid type	NC	NC	NC	NC	NC
Voltage	12V DC / 24V AC	110 - 120V AC	110 - 120V AC	220 - 240V AC	220 - 240V AC
Lead length	39 inch (full jacket)	22,5 inch (no jacket)	39 inch (full jacket)	22,5 inch (no jacket)	39 inch (full jacket)
Fluid connection	1/8 NPTF	1/8 NPTF	1/8 NPTF	1/8 NPTF	1/8 NPTF
Pressure range	0 - 300 psi				
Loss of load	< 14,5 psi for a flow rate of 16 GPH at 68°F / 5 cSt				
Nozzle line flow	16 GPH				
Oil type	Fuel oil #2 and lighter, B6-B20 (blends from 6% up to 20% biodiesel, per ASTM D396)				
Fluid temperature	75° F				
Ambiant temperature	50 - 115°F				
Body material	Aluminium				
Coil color	Green	Grey	Grey	Black	Black
Consumption	10W	9W	9W	9W	9W
Certification					

INSTALLATION

The shut-off valve can be installed on any Suntec model series A and B pumps rated up to 300 psi. All permissible mounting positions, except for downward pointing solenoid tube.

DIMENSIONS

R valve



C valve

