



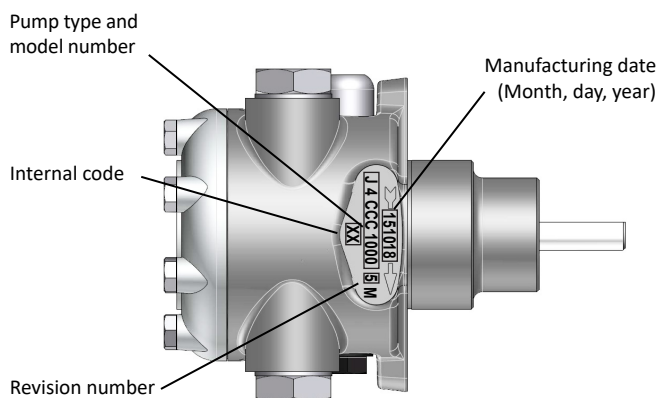
# INTERCHANGEABILITY LIST

## J PUMPS

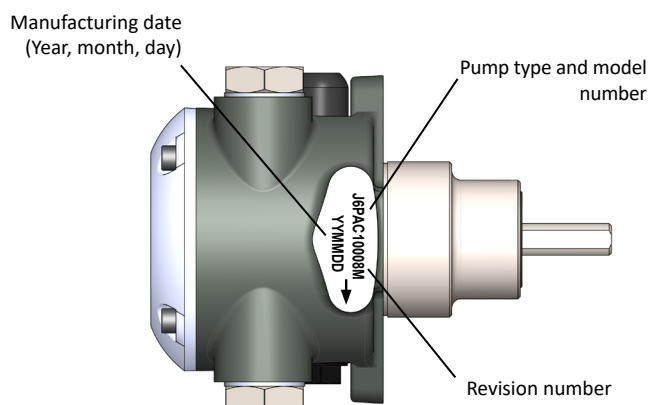
Starting from October 2022, SUNTEC is converting its industrial pump range by upgrading critical components with high quality materials and better chemical resistance to improve stability against oxidation.

In addition to this adaptation, SUNTEC redesigned its pump to simplify maintenance operation and pump characteristics readability on pump. Also all J pumps have been upgraded to shaft face sealing to reduce leaking risk.

New pumps with new design are identified by revision 8 (ex. J6 PCC 1000 8M).



*Jxxxx1000G*  
*Jxxxx1050G*



*J rev. 8*

	Old reference	New reference	REMARKS
<b>New J pumps</b>	<b>J Face seal</b>		
	J6PCC1050G		J6PCC10008M + no cut-off nozzle plug kit 993022
	J6PCC1000G	J6PCC10008M	
	J6PAC1050G		J6PAC10008M + no cut-off nozzle plug kit 993022
	J6PAC1000G	J6PAC10008M	
	J4PCC1000G	J4PCC10008M	
	J4PAC1050G	J4PAC10038M	
	J4PAC1000G	J4PAC10008M	
	J4NBA1000G	J4NBA10008M	
	J4NBD1000G		J4NBA10008M + regulator (40-80 PSI) and adjusting plug kit 991610
J4NBD1050G		J4NBA10008M + regulator (40-80 PSI) and adjusting plug kit 991610 + no cut-off nozzle plug kit 993022	



	Old reference	New reference	REMARKS
New J pumps	<b>J Lip seal</b>		
	J6PCD1000G		J6PCC10008M + regulator (40-80 PSI) and adjusting plug kit 991610
	J6PBB1000G		No replacement
	J6PAD1050G		J6PAB10008M + regulator (40-80 PSI) and adjusting plug kit 991610 + no cut-off nozzle plug kit 993022
	J6PAD1000G		J6PAB10008M + regulator (40-80 PSI) and adjusting plug kit 991610
	J6PAB1000G	J6PAB10008M	
	J6PAA1000G		J6PAB10008M + regulator (20-40 PSI) and adjusting plug kit 991607
	J6PAE1000G	J6PAF10008M	
	J4PCB1000G	J4PCB10008M	
	J4PBB1000G	J4PBB10008M	
	J4PAE1000G	J4PAF10008M	
	J4PAD1000G		J4PAB10008M + regulator (40-80 PSI) and adjusting plug kit 991610
J4PAB1000G	J4PAB10008M		