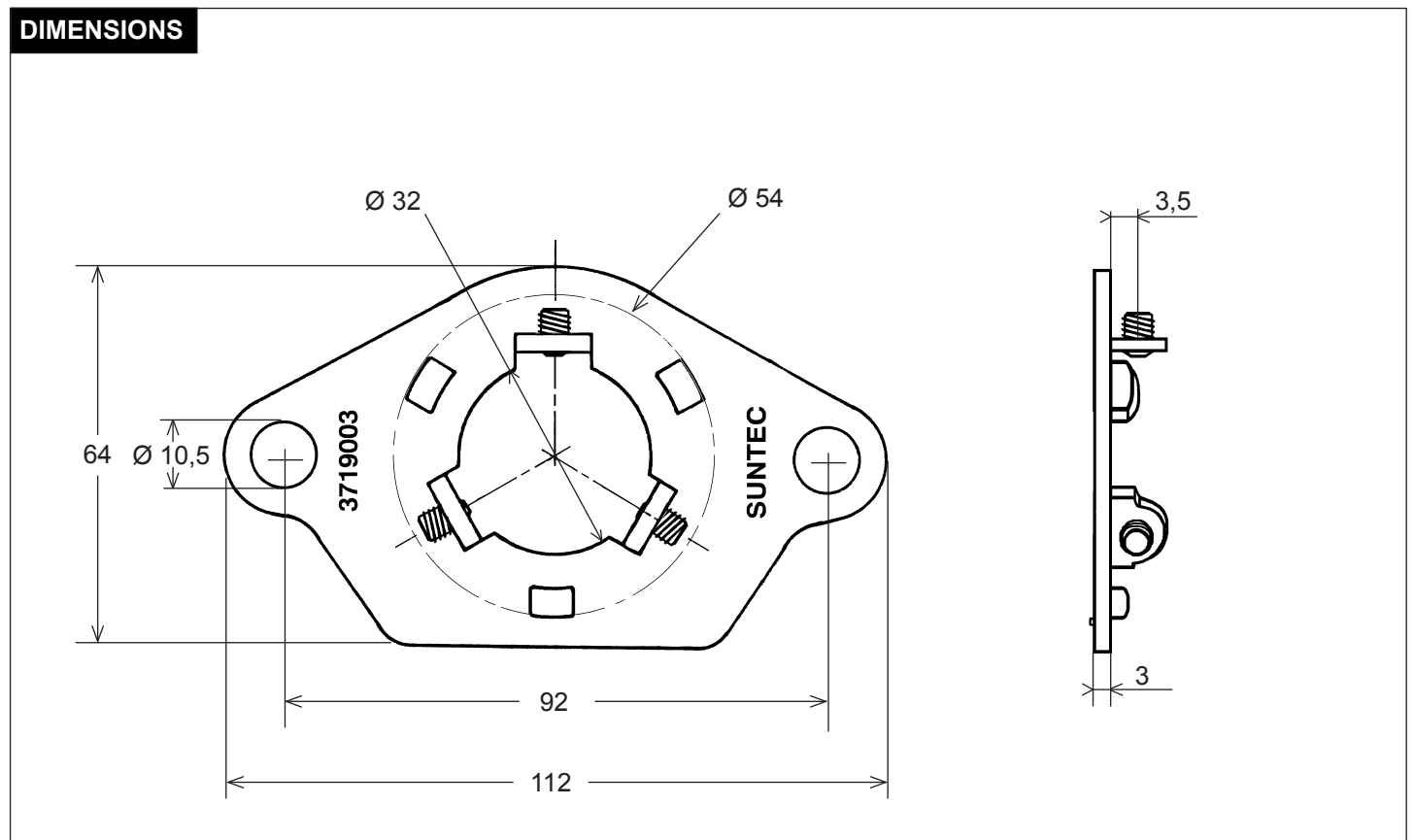


The adaptor flange reference : 3719003 allows to convert any hub mounting pump (with 32 mm Ø hub) to a flange mounting pump with 54 mm Ø hub.
The adaptor is fitted with its 3 screws.



We reserve the right to change specifications without prior notice.