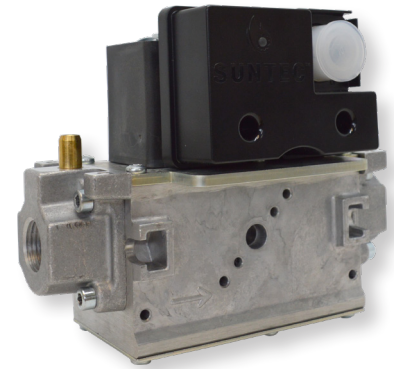


MULTIFUNCTIONAL GAS VALVE M2-N / M3-N

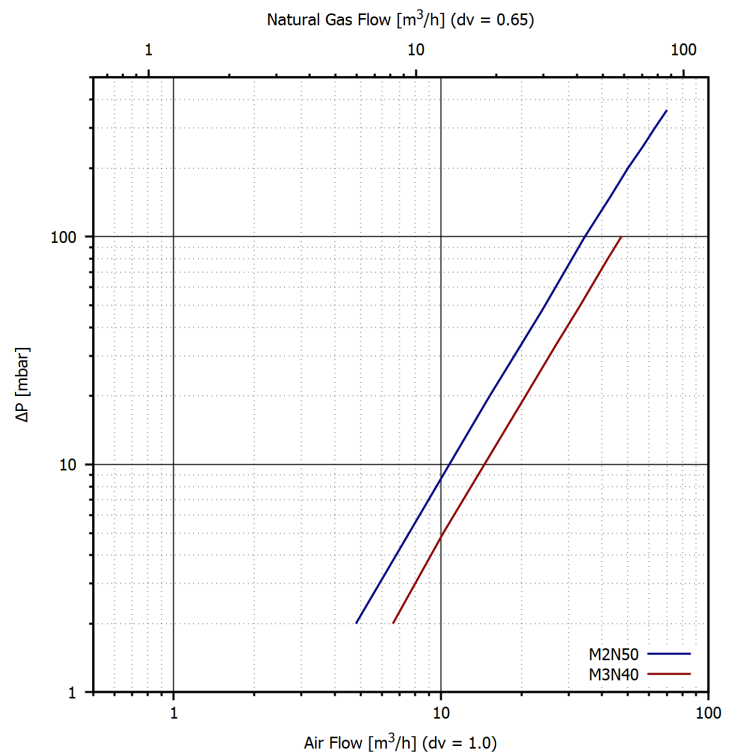
Gas valve with 2 safety valves for pressure jet burners.



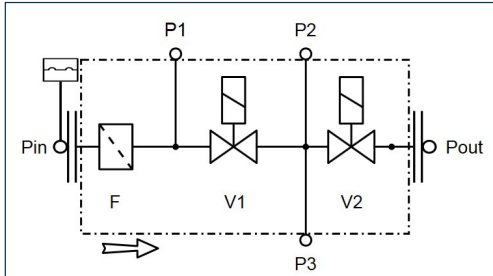
Specifications

- 2 Safety Shut-off valves according to EN 161 :
 - M2C : Class A, closing time < 1 s.*
 - M3C : Class B, closing time < 1 s.*
 - Direct ON/OFF operators.*
- Gas Families : I + II + III according to EN 437.
- Maximum inlet pressure :
 - M2C : 360 mbar.*
 - M3C : 100 mbar.*
- Inlet/outlet threaded flanges : 1/2", 3/4"
(according to EN 10226-1).
- Housing : *Aluminum.*
- Ambient temperature range :
 - 20 °C to +60 °C.*
- Features : *optional pressure switch.*
- Electrical features :
 - Rated voltage : 230V AC - 50/60 Hz.
 - Independent power supply of shut-off valve.
 - Electrical connection : DIN 43650 Form A connector.
 - Protection : IP 54, with suitable connector.

Operating curves

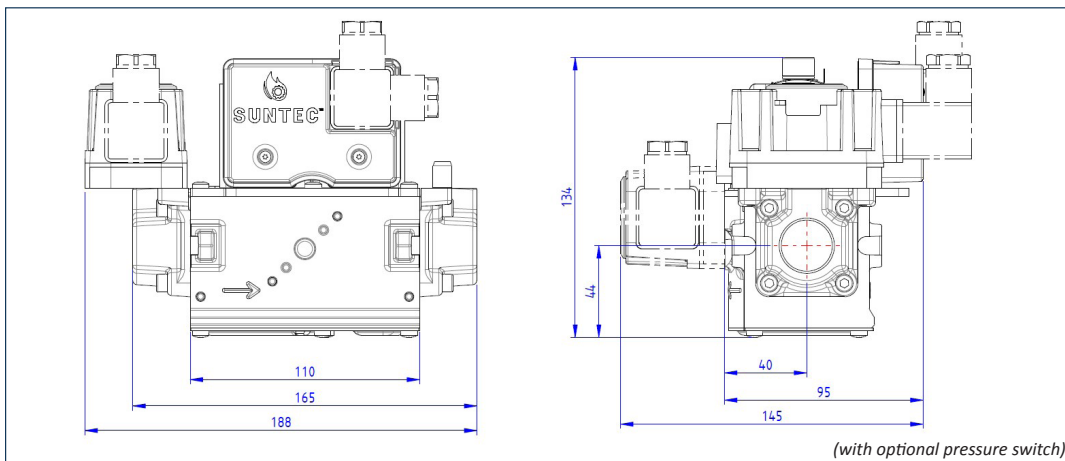


Operating Principle



- P IN** : Inlet pressure
- P1** : Strainer pressure
- P2 / P3** : Pressure
- P OUT** : Outlet pressure
- F** : Strainer
- V1** : Safety shut-off valve 1
- V2** : Safety shut-off valve 2 with flow limiter

Dimensions



Identification Codification

	M2	N	5	0	F	0	7	-	0	-	X	X	X	X
Gas valve size (Body / Seat)	Model M2	Model M3												
Pressure regulator type		N = No pressure regulator												
Maximum inlet pressure / Valve class			4 = 100 mbar - B+B 5 = 360 mbar - A+A											
Regulator pressure range				0 = No pressure range										
2nd safety valve opening					F = Fast opening									
Safety valves type of supply						0 = Independent								
Coils voltage							7 = 230V AC							
Revision														
Customization code														