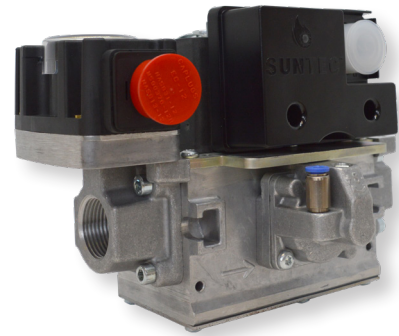


MULTIFUNCTIONAL GAS VALVE M2-C / M3-C

Combination Gas valve with 2 safety valves and pressure regulator for 1 stage pressure jet burners.



Specifications

- Combination gas valve according to EN 126:2012.

- 2 Safety Shut-off valves according to EN 161 :

M2C : Class A, closing time < 1 s.

M3C : Class B, closing time < 1 s.

Direct ON/OFF operators.

- Pressure regulator (according to EN 88-1) :

Constant pressure regulator :

Class B.

Adjustable set point range :

4-20 or 4-50 mbar.

Normally closed regulating valve.

Patented design by Suntec.

- Gas Families : I + II + III according to EN 437.

- Maximum inlet pressure :

M2C : 360 mbar.

M3C : 100 mbar.

- Inlet/outlet threaded flanges : 1/2", 3/4"
(according to EN 10226-1).

- Housing : Aluminum.

- Ambient temperature range :

-20 °C to +60 °C.

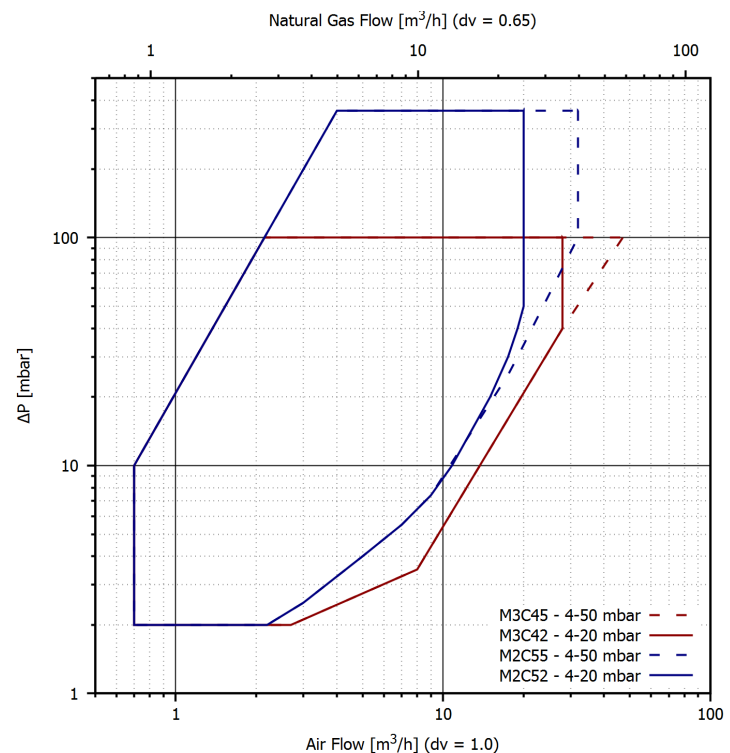
- Electrical features :

- Rated voltage : 230V AC - 50/60 Hz.

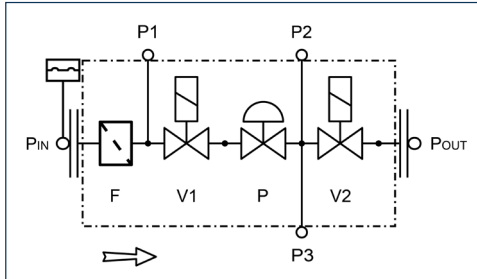
- Electrical connection : DIN 43650 Form A connector.

- Protection : IP 54, with suitable connector.

Operating curves

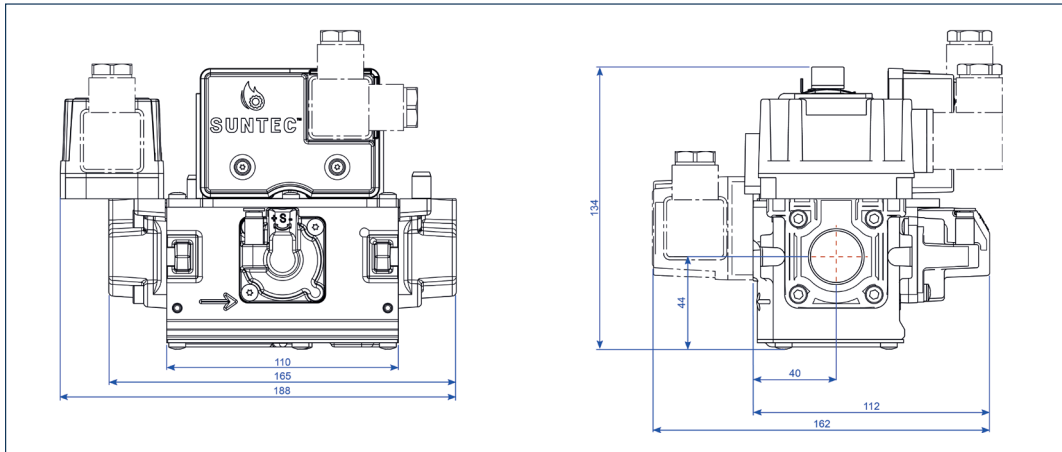


Operating Principle



- P IN** : Inlet pressure
- P1** : Strainer pressure
- P2 / P3** : Regulated pressure
- P OUT** : Outlet pressure
- F** : Strainer
- P** : Pressure regulator
- V1** : Safety shut-off valve 1
- V2** : Safety shut-off valve 2 with flow limiter

Dimensions



Identification Codification

| | | | | | | | | | | | |
|---|-----------|----------|----------|----------|----------|----------|----------|----------|----------|----------|-------------|
| | M2 | C | 5 | 2 | F | 0 | 7 | - | 0 | - | XXXX |
| Gas valve size (Body / Seat) | _____ | _____ | _____ | _____ | _____ | _____ | _____ | _____ | _____ | _____ | _____ |
| Model M2 | | | | | | | | | | | |
| Model M3 | | | | | | | | | | | |
| Pressure regulator type | _____ | _____ | _____ | _____ | _____ | _____ | _____ | _____ | _____ | _____ | _____ |
| C = Constant pressure regulator | | | | | | | | | | | |
| Maximum inlet pressure / Valve class | _____ | _____ | _____ | _____ | _____ | _____ | _____ | _____ | _____ | _____ | _____ |
| 4 = 100 mbar - B+B | | | | | | | | | | | |
| 5 = 360 mbar - A+A | | | | | | | | | | | |
| Regulator pressure range | _____ | _____ | _____ | _____ | _____ | _____ | _____ | _____ | _____ | _____ | _____ |
| 2 = 4-20 mbar | | | | | | | | | | | |
| 5 = 4-50 mbar | | | | | | | | | | | |
| 2nd safety valve opening | _____ | _____ | _____ | _____ | _____ | _____ | _____ | _____ | _____ | _____ | _____ |
| F = Fast opening | | | | | | | | | | | |
| Safety valves type of supply | _____ | _____ | _____ | _____ | _____ | _____ | _____ | _____ | _____ | _____ | _____ |
| 0 = Independent | | | | | | | | | | | |
| Coils voltage | _____ | _____ | _____ | _____ | _____ | _____ | _____ | _____ | _____ | _____ | _____ |
| 7 = 230V AC | | | | | | | | | | | |
| Revision | _____ | _____ | _____ | _____ | _____ | _____ | _____ | _____ | _____ | _____ | _____ |
| Customization code | _____ | _____ | _____ | _____ | _____ | _____ | _____ | _____ | _____ | _____ | _____ |