

This is a general specification leaflet ; for specific applications not covered herein, contact Suntec.

The SUNTEC **E 1001** oil pump incorporates a pressure regulating valve with cut-off function. Its design is basically similar to that of J pumps, but E pumps can also be used with kerosene and heavy oil.

APPLICATIONS

- Light oil, B10 heating oil/biofuel blend (as defined in DIN V51603-6), medium and heavy oil. For kerosene applications, contact Suntec.
- One or two-pipe system.
- Normally associated with in-line solenoid valve.

PUMP OPERATING PRINCIPLE

The gear set draws oil from the tank through the built-in filter and transfers it to the valve that regulates the oil pressure to the nozzle line. All oil that does not go through the nozzle line will be dumped through the valve back to the return line in two pipe installation or, if it is a one-pipe installation, back to the suction port in the gear-set. In that case, the by-pass plug must be removed from the return port and the return port sealed by steel plug and washer.

The valve also has a cut-off function as follows :

During starting period when the gear-set speed is increasing, all the oil passes through a special flat on the piston, back to the return. Once the speed reaches a certain value and the flow can no longer pass through this flat, then the pressure increases rapidly overcoming the valve spring force and opens the valve.

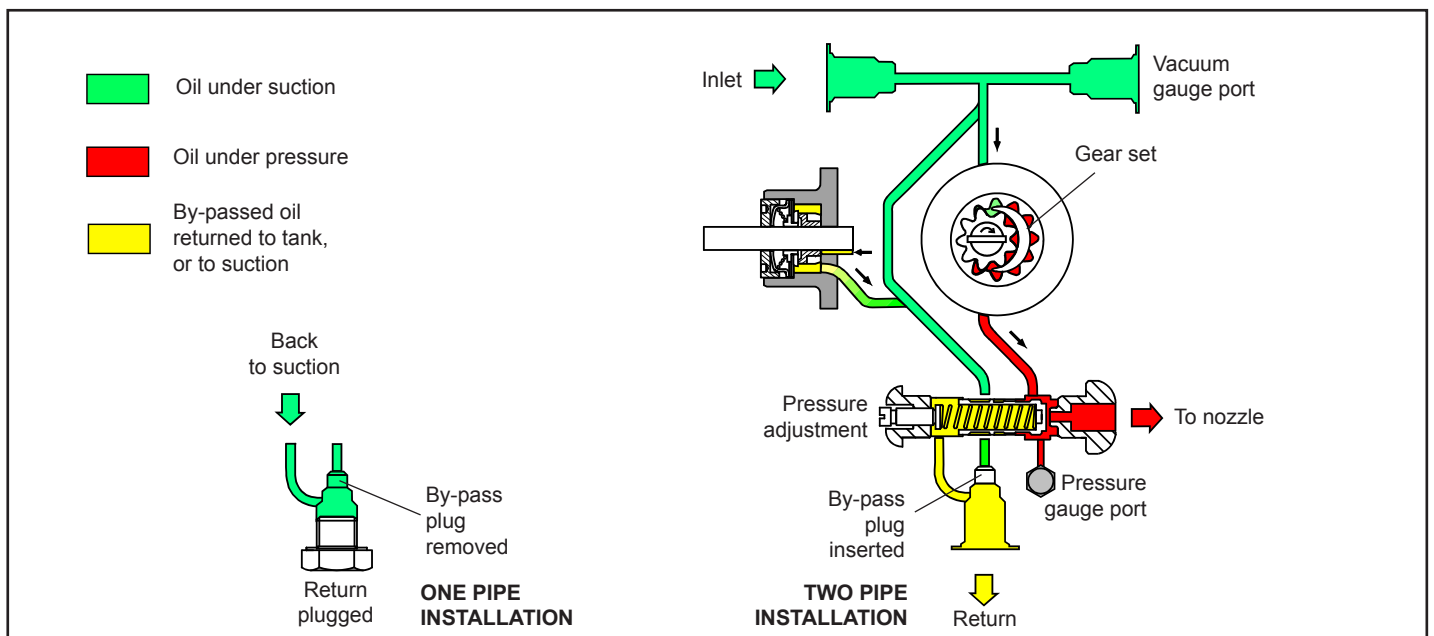
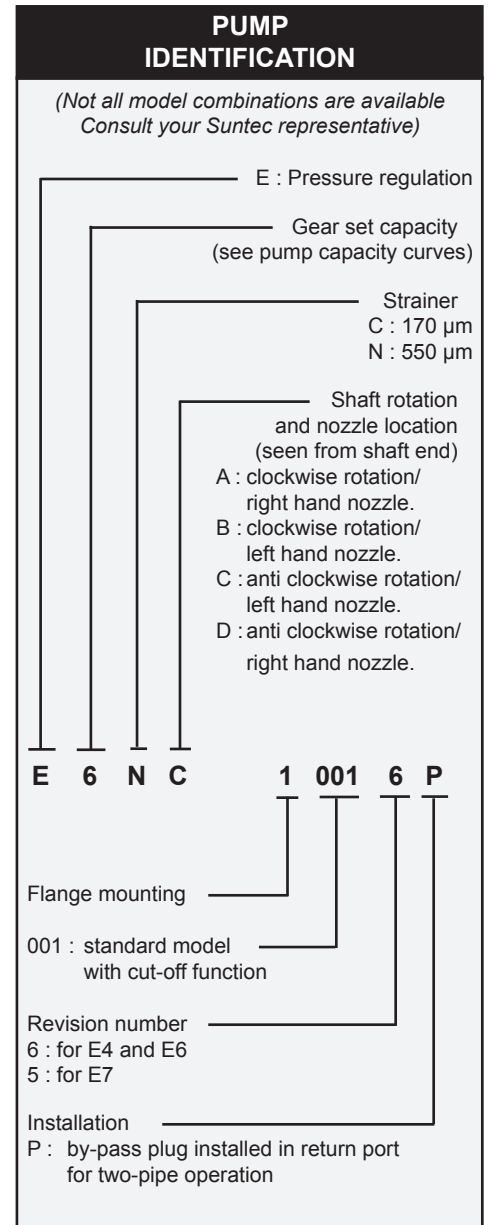
During the stop sequence, the gear-set speed slows down and the valve closes when the gear-set capacity is lower than the flat flow.

The cut-on and cut-off speeds depend on the gear-set size and set pressure.

Bleed :

Bleeding in two pipe operation is automatic, but it may be accelerated by loosening the plug in a pressure gauge port.

In one pipe operation, a pressure port must be opened to bleed the system.



TECHNICAL DATA

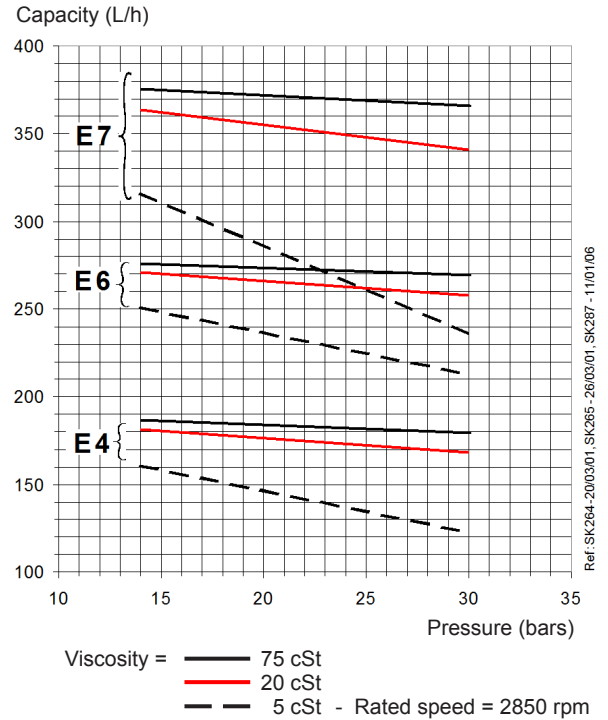
General

Mounting	Flange mounting according to EN 225.
Connection threads	Cylindrical according to ISO 228/1
Inlet and return	G 1/2
Nozzle outlet	G 1/4
Pressure gauge port	G 1/8
Vacuum gauge port	G 1/2
Valve function	Pressure regulating and cut-off
Strainer	Open area : 45 cm ² Opening size : C = 170 μm N = 550 μm
Shaft	Ø 11mm according to EN 225.
By-pass plug	Inserted in return port for 2 pipe system; to be removed with a 3/16" Allen key for 1 pipe system.
Weight	4 kg

Hydraulic data

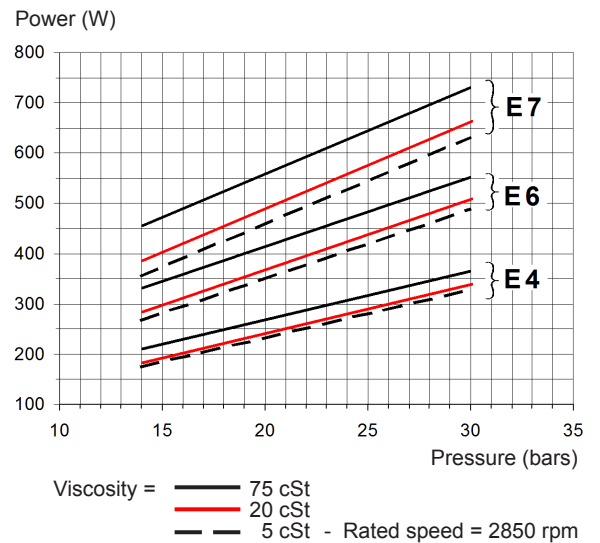
Nozzle pressure range	14 - 30 bars (@ viscosity > 3 cSt)
Delivery pressure setting	20 bars
Operating viscosity	2 - 75 mm ² /s (cSt) for E4/E6 3 - 75 mm ² /s (cSt) for E7 <i>(For kerosene applications, contact SUNTEC)</i>
Oil temperature	0 - 90°C in the pump.
Inlet pressure	1,5 bars max.
Return pressure	1,5 bars max.
Suction height	0,45 bars max. vacuum to prevent air separation from oil.
Rated speed	3600 rpm max.
Torque (@ 45 rpm)	0,30 N.m

Pump capacity



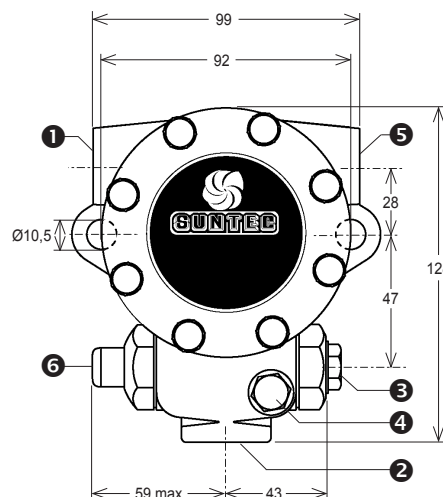
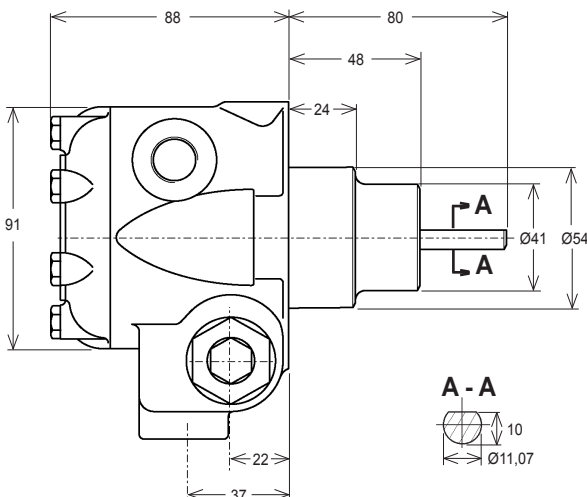
Data shown take into account a wear margin. Do not oversize the pump when selecting the gear capacity.

Power consumption



PUMP DIMENSIONS

Example shows "C" rotation and nozzle outlet.



- 1 Suction or vacuum gauge port
- 2 Return and internal by-pass plug
- 3 Nozzle outlet
- 4 Pressure gauge port
- 5 Vacuum gauge port or suction
- 6 Pressure adjustment